

limited two year warranty

Your Drive branded product is warrantied to be free of defects in materials and workmanship for two years from the date of purchase for the original consumer purchaser.

This device was built to exacting standards and carefully inspected prior to shipment. This Limited Two Year Warranty is an expression of our confidence in the materials and workmanship of our products and our assurance to the consumer of dependable service.

This warranty does not cover device failure due to owner misuse or negligence, or normal wear and tear. The warranty does not extend to non-durable components such as rubber accessories, casters, and grips, which are subject to normal wear and need periodic replacement.

If you have a question about your Drive device or this warranty, please contact an authorized Drive dealer.



© 2014 Medical Depot, Inc. All rights reserved.
Drive is a trademark of Medical Depot, Inc.
Port Washington N.Y. 11050 USA Made in China

swivel wheel locking bracket

item # CE 1500



EU Authorized Representative
Drive Medical LTD
Ainley's Industrial Estate
Elland, West Yorkshire,
United Kingdom HX5 9JP

www.drivemedical.com

WenzelRe/habTM
drive

installation instructions

1. Remove knob from bracket.
2. Position swivel wheel with caster facing the rear of the Safety Roller (Figure 2).
3. Place bracket over front swivel caster (Figure 2) with weld nut (A) facing towards the inside of the Safety Roller.
4. Insert Knob and tighten.

adjustment

Swivel wheels can be switched from non-swivel to swivel by loosening knob, sliding bracket backwards and tightening knob when not positioned over the wheel.

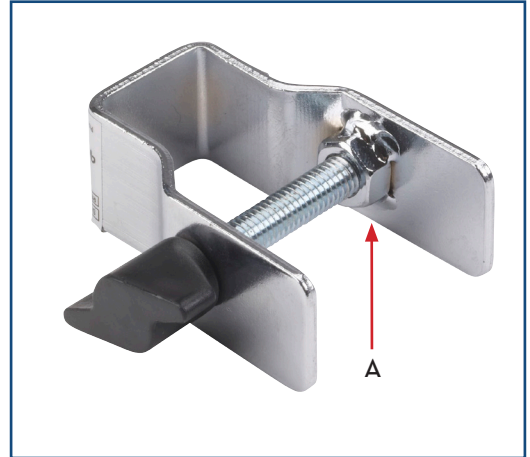


figure 1



figure 2